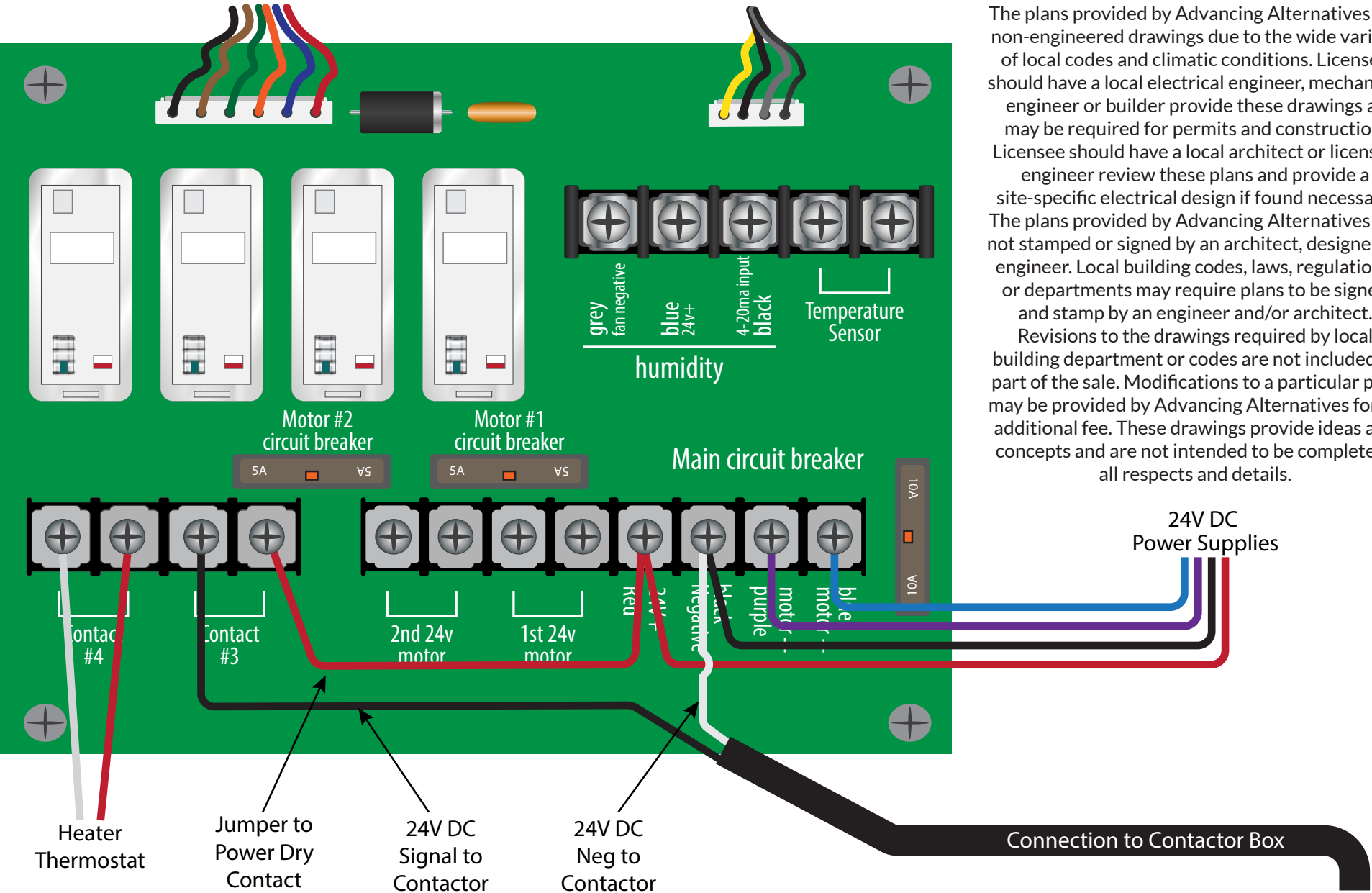
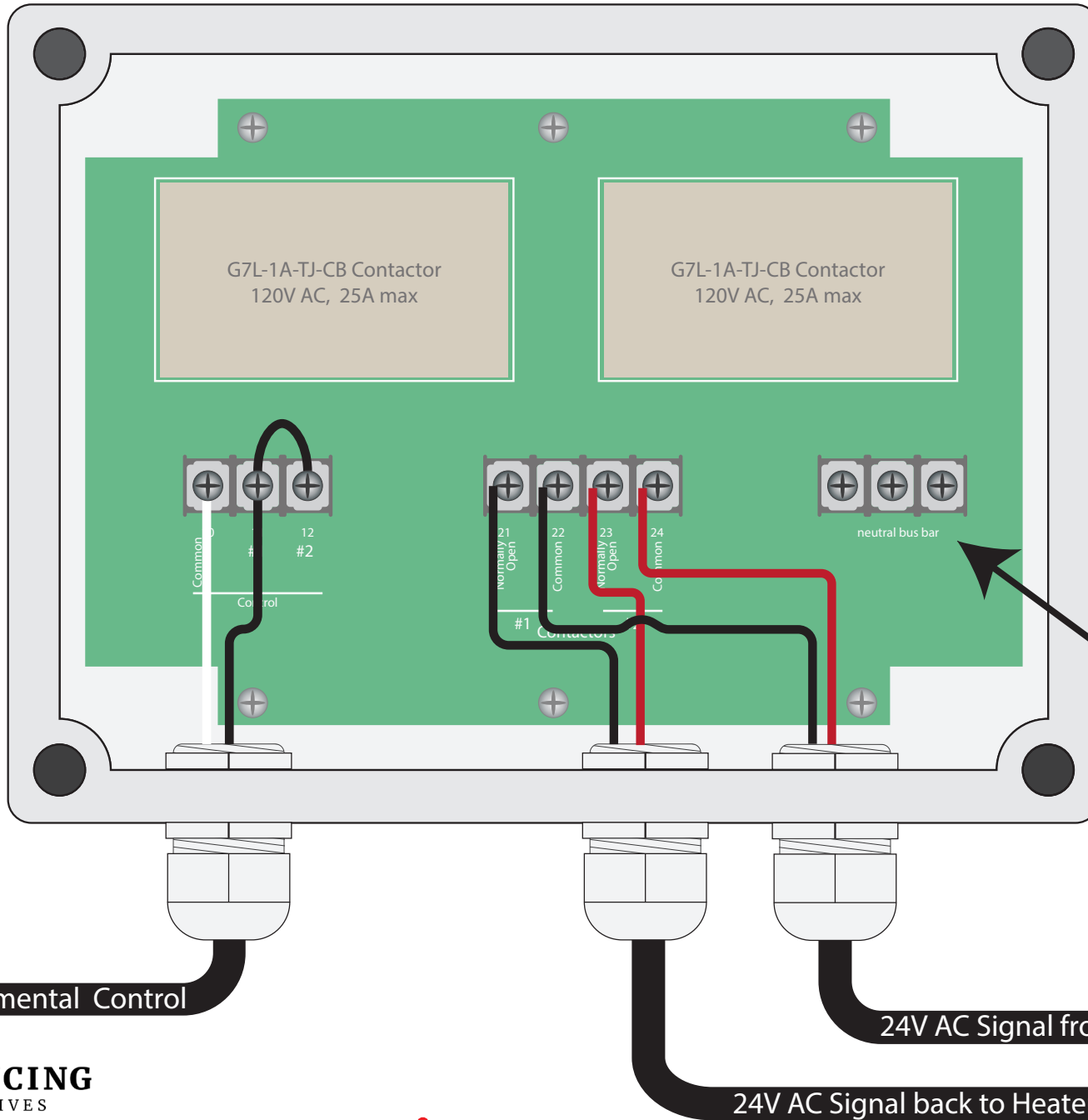


# VCU2-24 to Contactor Box Wiring Diagram - For Connecting Multiple Heaters



The plans provided by Advancing Alternatives are non-engineered drawings due to the wide variety of local codes and climatic conditions. Licensee should have a local electrical engineer, mechanical engineer or builder provide these drawings as may be required for permits and construction. Licensee should have a local architect or licensed engineer review these plans and provide a site-specific electrical design if found necessary. The plans provided by Advancing Alternatives are not stamped or signed by an architect, designer, or engineer. Local building codes, laws, regulations, or departments may require plans to be signed and stamp by an engineer and/or architect. Revisions to the drawings required by local building department or codes are not included as part of the sale. Modifications to a particular plan may be provided by Advancing Alternatives for an additional fee. These drawings provide ideas and concepts and are not intended to be complete in all respects and details.

# 42-CB2 Wiring Diagram for automating two heaters off one setpoint



The neutral bar will not be used when connectign two heaters.

Signal from Environmental Control

24V AC Signal from Heaters

24V AC Signal back to Heaters



**ADVANCING**  
ALTERNATIVES

info@advancingalternatives.com  
www.advancingalternatives.com



All electrical connections must be made by a qualified, licensed electrician and in accordance with all state and local codes.