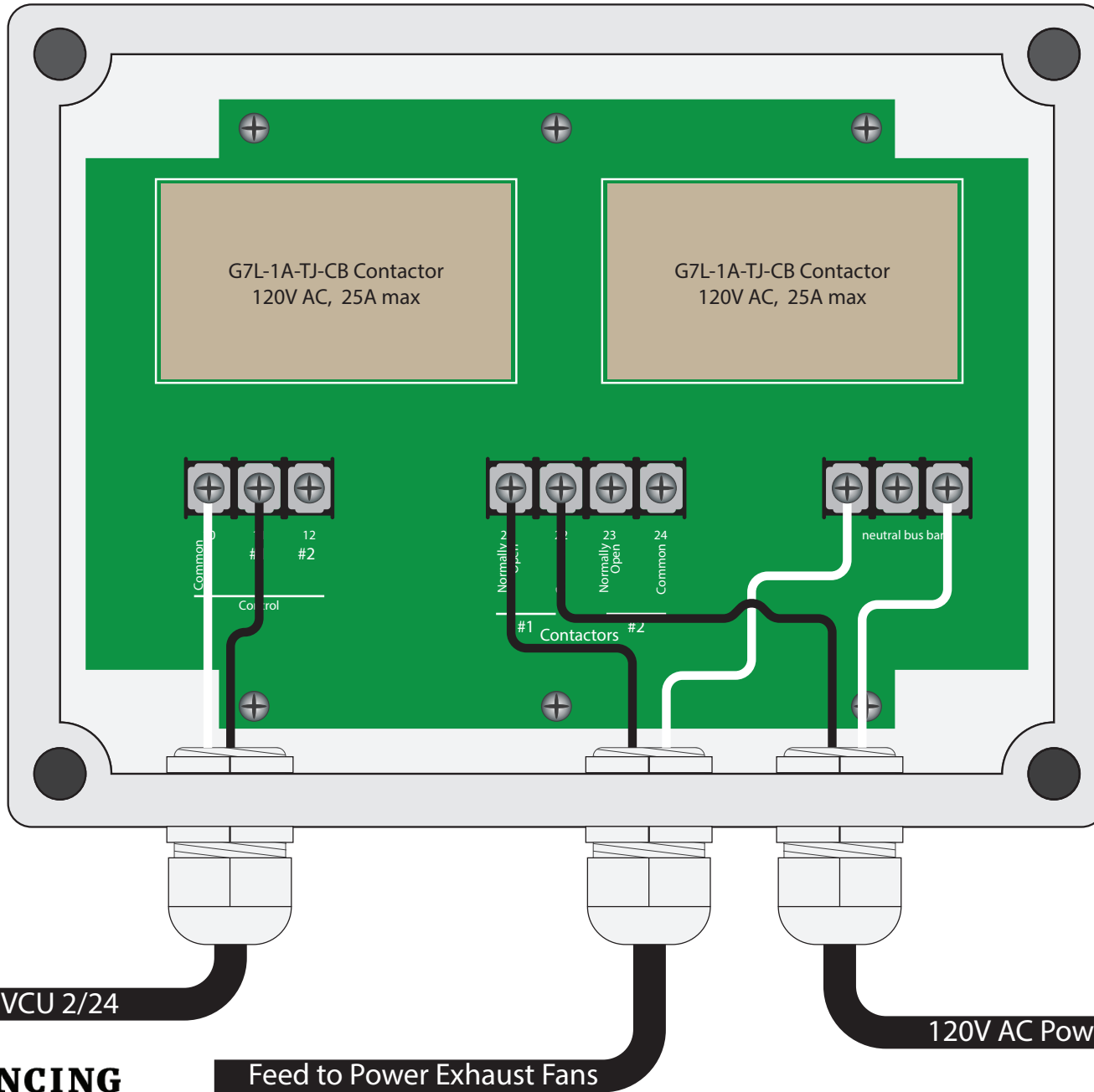


42-CB2 Wiring Diagram for automating a 120V AC fan/louver via the VCU 2/24 Controller



ADVANCING
ALTERNATIVES

1.877.546.2257

rich@advancingalternatives.com

www.advancingalternatives.com



"All Electrical Connections Must Be Made by a Licensed Electrician and in Accordance with State and Local Codes."